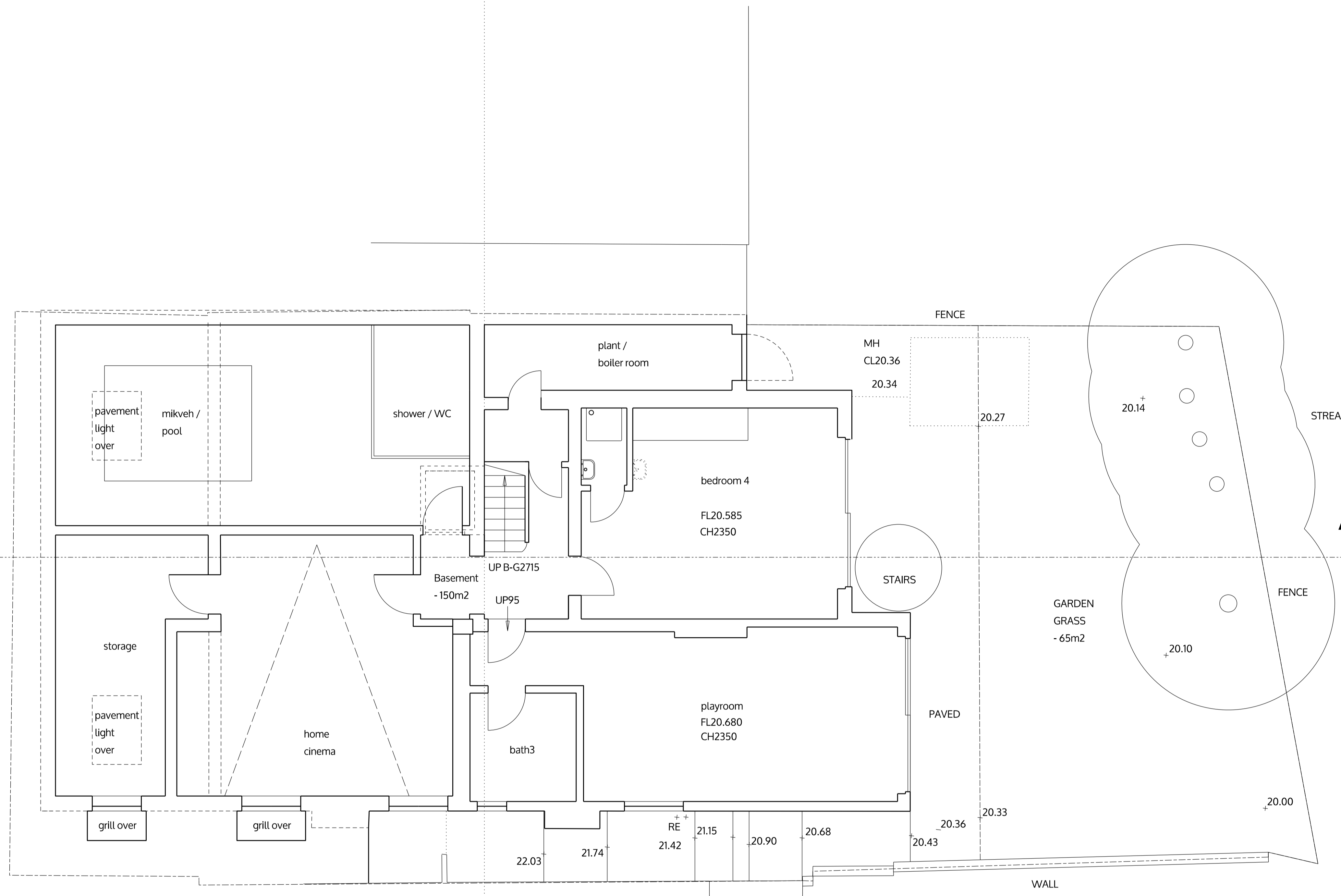
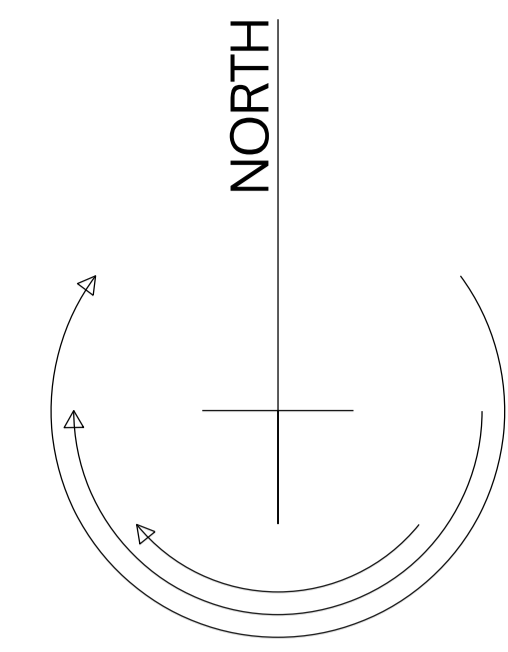


A



BASEMENT



no. drawn date scale status title client project

5 4 3 2 1 m 0 ALL DIMENSIONS TO BE CHECKED ON SITE © ALL COPYRIGHTS RESERVED

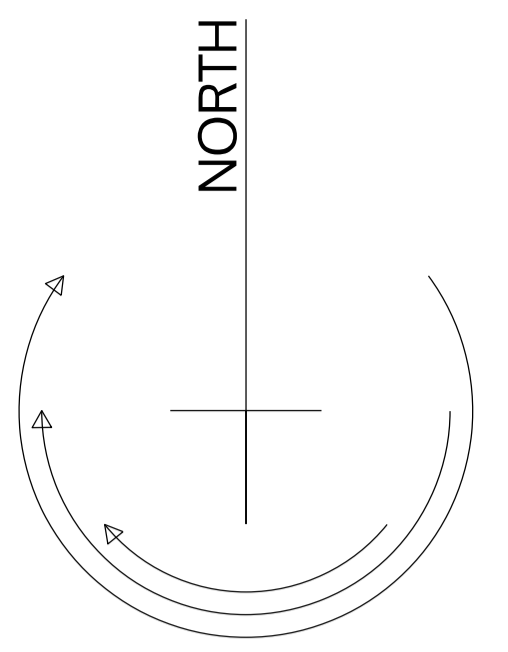
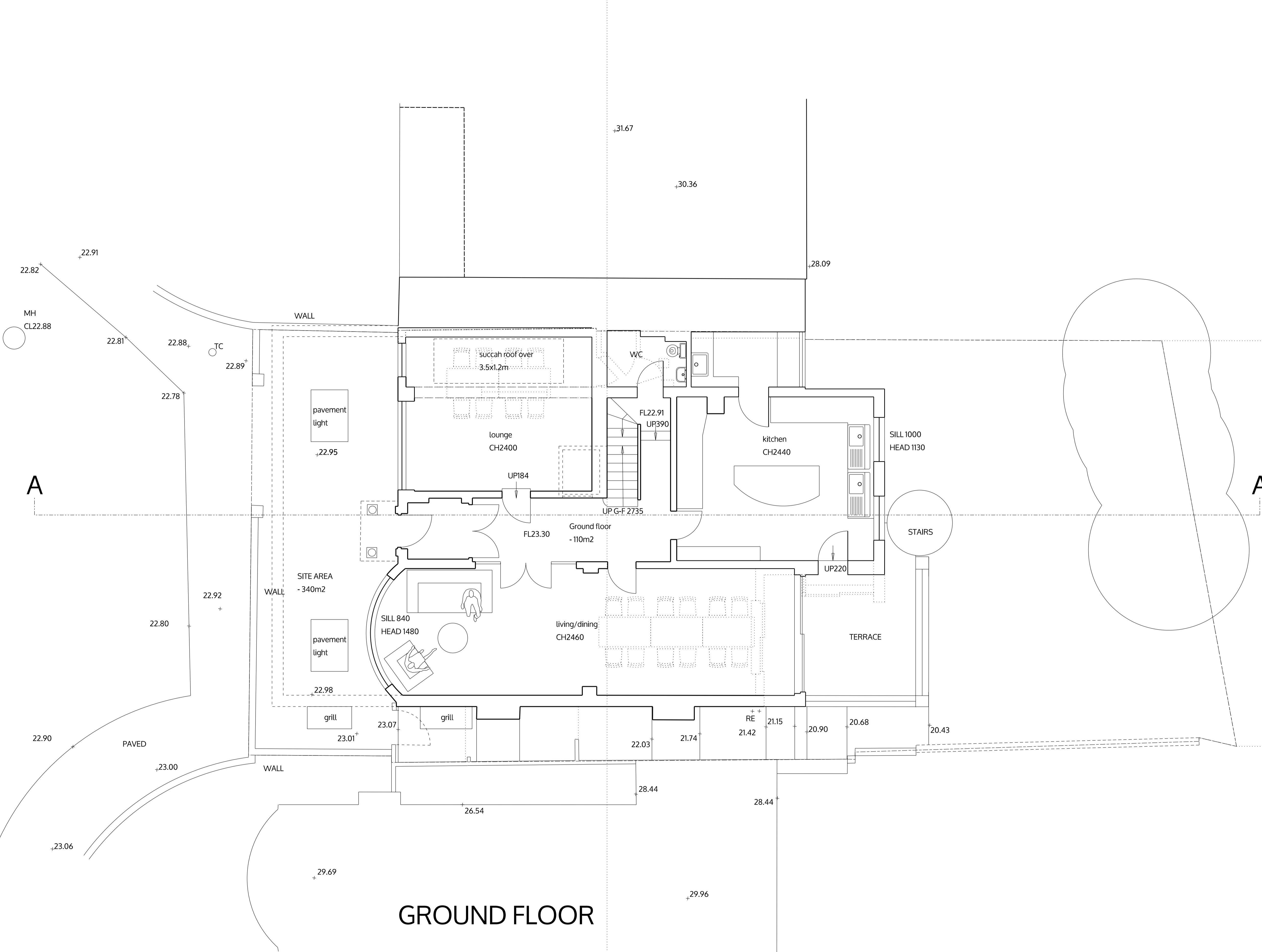
spaceAgent
 Architects and Designers
 London-Heidelberg-Barcelona-Brussels
 spaceAgent Architects Limited is a RIBA Chartered Practice

Householder extension
 13 Danescroft Gardens
 London NW4 2ND

Daniel Fadlun
 13 Danescroft Gardens
 London NW4 2ND

Basement
 as proposed

planning only	
	1:100 @A3 1:50 @A1
	Feb 2016
	mhamm
DAN_P01e	



no. drawn date scale status title client project © ALL COPYRIGHTS RESERVED m 0 1 2 3 4 5 ALL DIMENSIONS TO BE CHECKED ON SITE

GROUND FLOOR

spaceAgent
 Architects and Designers
 London-Heidelberg-Barcelona-Brussels
 spaceAgent Architects Limited is a RIBA Chartered Practice

project
 Householder extension
 13 Danescroft Gardens
 London NW4 2ND

client
 Daniel Fadlun
 13 Danescroft Gardens
 London NW4 2ND

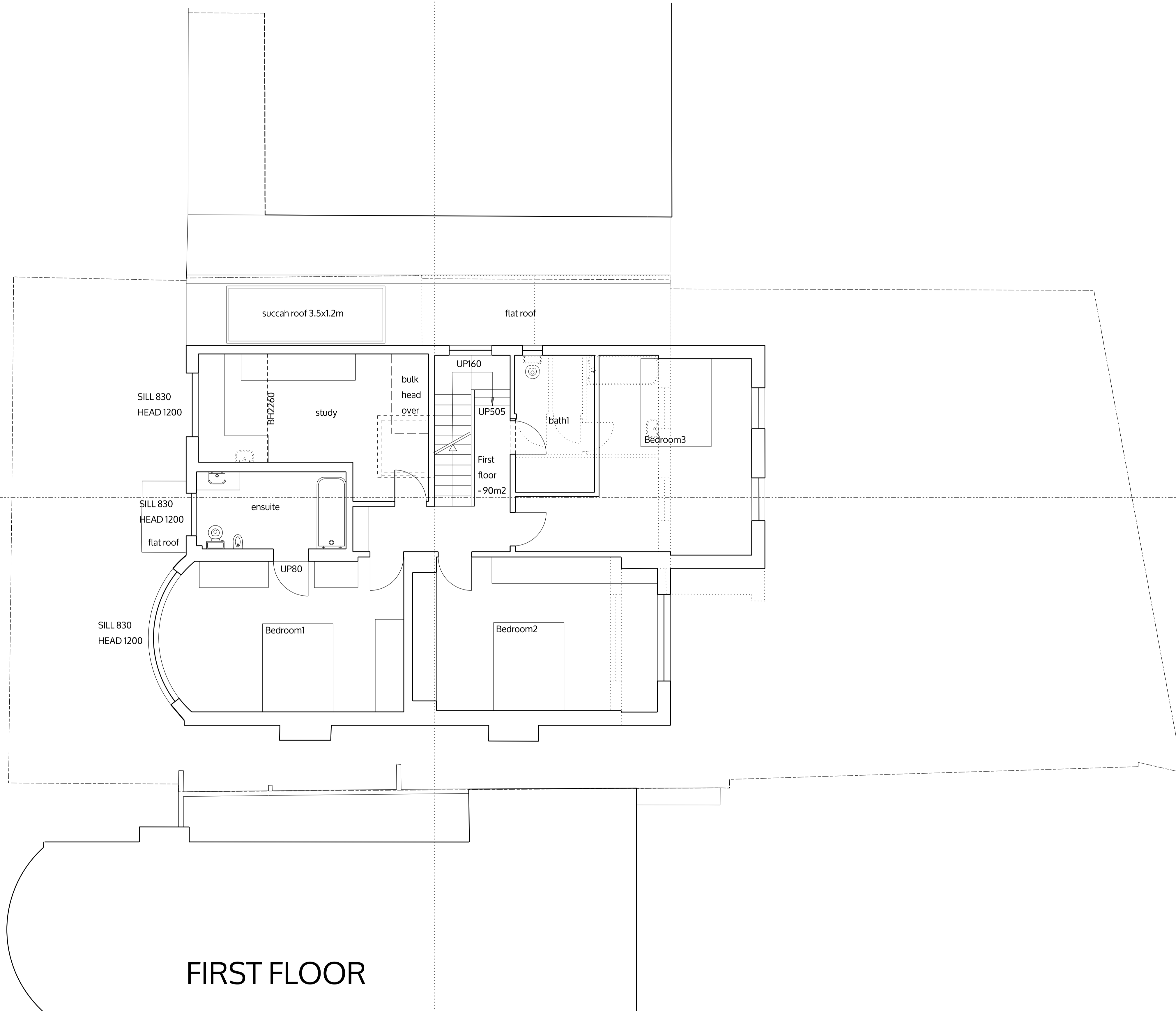
title
 Ground floor
 as proposed

planning only	
1:100 @A3	1:50 @A1
Feb 2016	
mhamm	

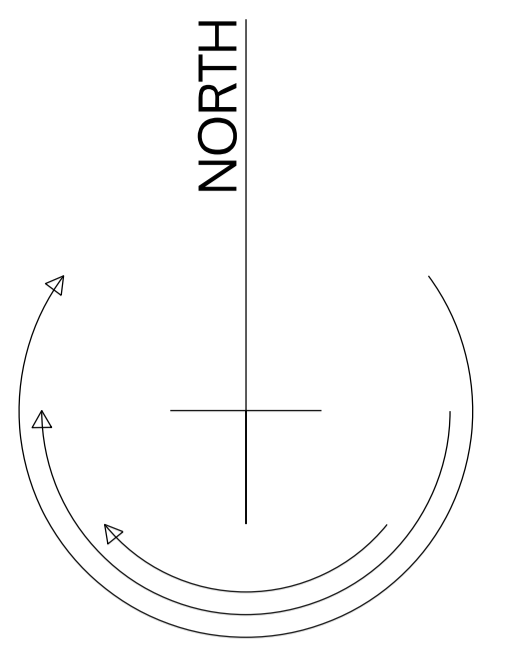
DAN_P02e

A

A



FIRST FLOOR



no. drawn date scale status title client project

5 4 3 2 1 m 0

© ALL COPYRIGHTS RESERVED

Householder extension
13 Danescroft Gardens
London NW4 2ND

Daniel Fadlun
13 Danescroft Gardens
London NW4 2ND

First floor
as proposed

planning only

1:100 @A3
1:50 @A1
Feb 2016
mhamm

DAN_P03e

spaceAgent 

Architects and Designers mail@spaceagent.com
London-Heidelberg-Barcelona-Brussels spaceagent.com
spaceAgent Architects Limited is a RIBA Chartered Practice

Householder extension
13 Danescroft Gardens
London NW4 2ND

Daniel Fadlun
13 Danescroft Gardens
London NW4 2ND

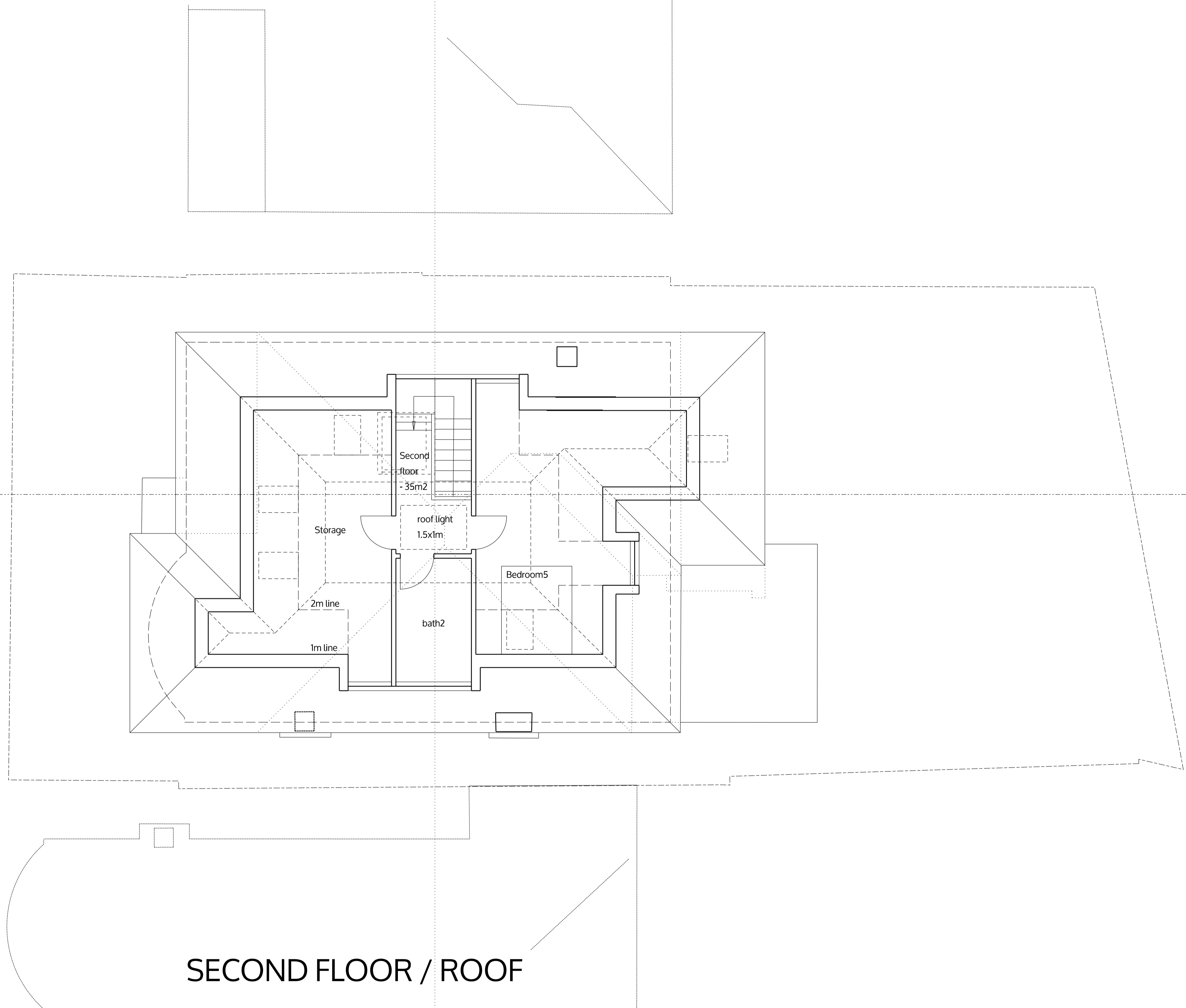
First floor
as proposed

planning only	
1:100 @A3	1:50 @A1
Feb 2016	
mhamm	

DAN_P03e

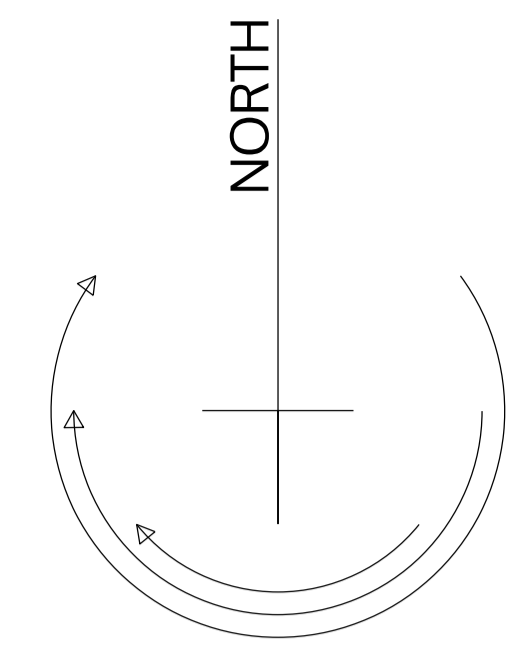
A

A



SECOND FLOOR / ROOF

no. drawn date scale status title client project
 © ALL COPYRIGHTS RESERVED m 0 1 2 3 4 5 ALL DIMENSIONS TO BE CHECKED ON SITE



spaceAgent 

Architects and Designers mail@spaceagent.com
 London-Heidelberg-Barcelona-Brussels spaceagent.com
 spaceAgent Architects Limited is a RIBA Chartered Practice

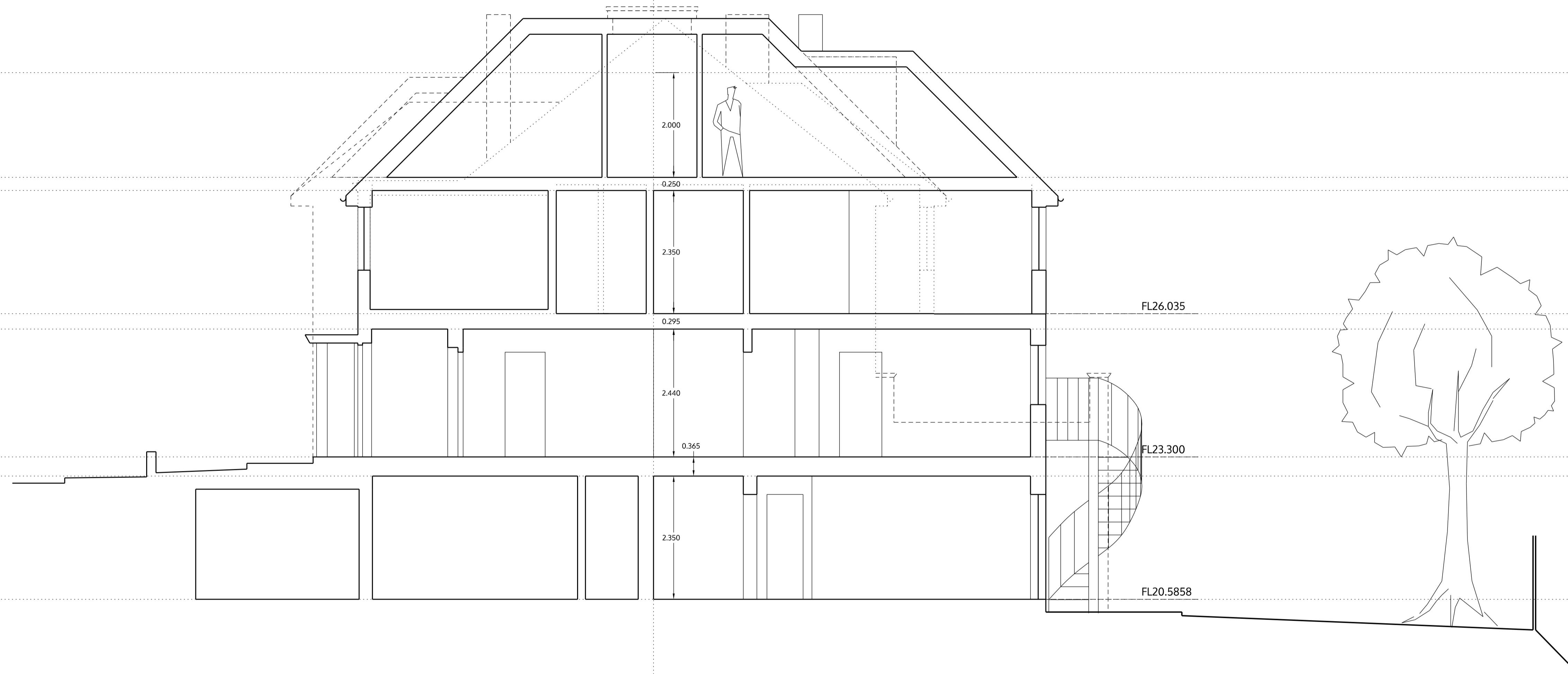
Householder extension
 13 Danescroft Gardens
 London NW4 2ND

Daniel Fadlun
 13 Danescroft Gardens
 London NW4 2ND

Second floor
 as proposed

planning only	
1:100 @A3	1:50 @A1
Feb 2016	
mhamm	

DAN_P04e



SECTION A-A

no. drawn date scale status title client project architects and designers London-Heidelberg-Barcelona-Brussels spaceAgent Architects Limited is a RIBA Chartered Practice

© ALL COPYRIGHTS RESERVED

m 0

1

2

3

4

5

ALL DIMENSIONS TO BE CHECKED ON SITE

spaceAgent

Architects and Designers
London-Heidelberg-Barcelona-Brussels
spaceAgent Architects Limited is a RIBA Chartered Practice

Householder extension
13 Danescroft Gardens
London NW4 2ND

Daniel Fadlun
13 Danescroft Gardens
London NW4 2ND

Section AA
as proposed

planning only	
1:100 @A3	1:50 @A1
Feb 2016	
mhamm	

DAN_P05e



SOUTH ELEVATION

no. drawn date scale status title client project © ALL COPYRIGHTS RESERVED m 0 1 2 3 4 5 ALL DIMENSIONS TO BE CHECKED ON SITE

spaceAgent 

Architects and Designers mail@spaceagent.com
 London-Heidelberg-Barcelona-Brussels spaceagent.com
 spaceAgent Architects Limited is a RIBA Chartered Practice

Householder extension
 13 Danescroft Gardens
 London NW4 2ND

Daniel Fadlun
 13 Danescroft Gardens
 London NW4 2ND

South elevation
 as proposed

planning only

1:100 @A3
 1:50 @A1

Feb 2016

mhamm

DAN_P06e

no. drawn date scale status title client project copyright reserved m 0 1 2 3 4 5 ALL DIMENSIONS TO BE CHECKED ON SITE



REAR ELEVATION

spaceAgent 

Architects and Designers mail@spaceagent.com
 London-Heidelberg-Barcelona-Brussels spaceagent.com
 spaceAgent Architects Limited is a RIBA Chartered Practice

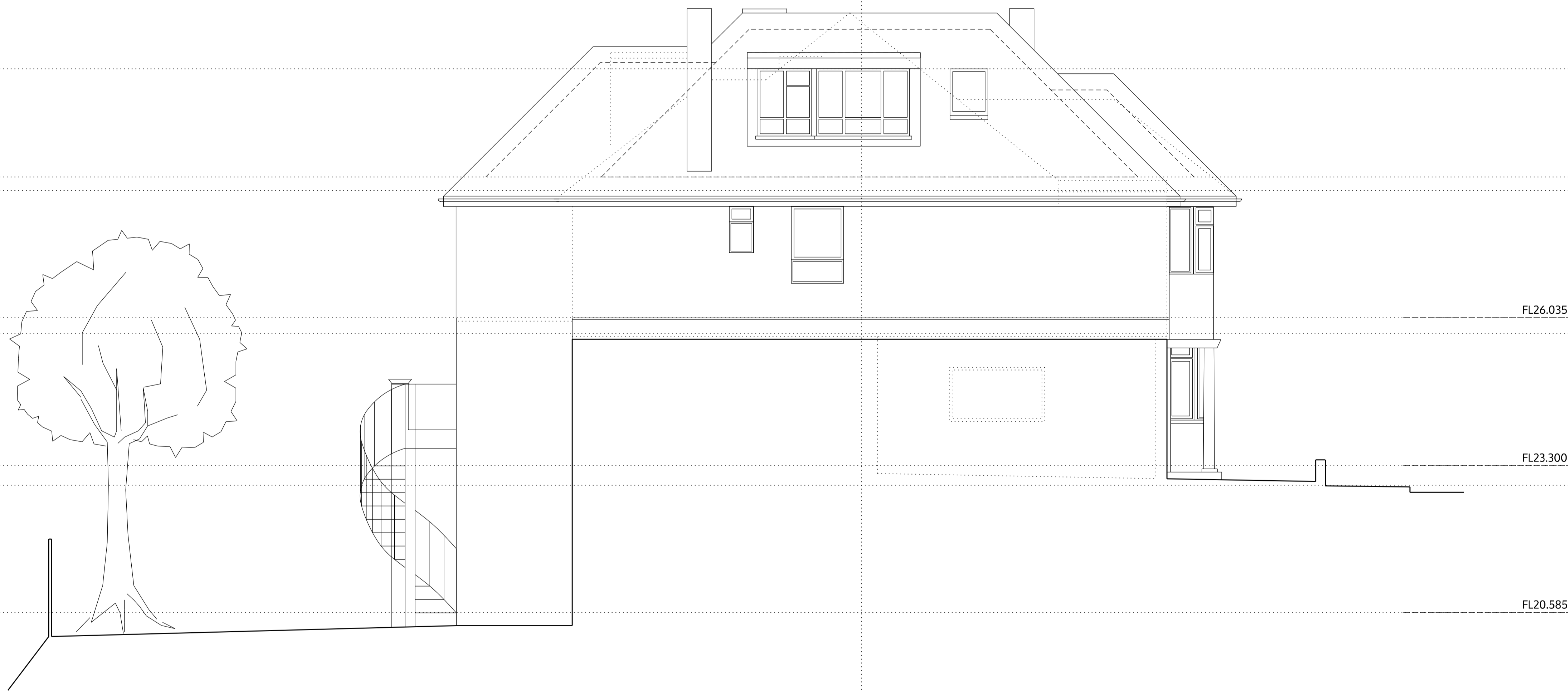
project Householder extension
 13 Danescroft Gardens
 London NW4 2ND

client Daniel Fadlun
 13 Danescroft Gardens
 London NW4 2ND

title Rear elevation
 as proposed

planning only	
1:100 @A3	1:50 @A1
Feb 2016	
mhamm	

DAN_P07e



NORTH ELEVATION

no. drawn date scale status title client project © ALL COPYRIGHTS RESERVED m 0 1 2 3 4 5 ALL DIMENSIONS TO BE CHECKED ON SITE

spaceAgent 

Architects and Designers mail@spaceagent.com
 London-Heidelberg-Barcelona-Brussels spaceagent.com
 spaceAgent Architects Limited is a RIBA Chartered Practice

project Householder extension
 13 Danescroft Gardens
 London NW4 2ND

client Daniel Fadlun
 13 Danescroft Gardens
 London NW4 2ND

title North elevation
 as proposed

planning only

1:100 @A3
 1:50 @A1

Feb 2016

mhamm

DAN_P08e



FRONT ELEVATION

no. drawn date scale status title client project © ALL COPYRIGHTS RESERVED m 0 1 2 3 4 5 ALL DIMENSIONS TO BE CHECKED ON SITE

spaceAgent 
 Architects and Designers mail@spaceagent.com
 London-Heidelberg-Barcelona-Brussels spaceagent.com
 spaceAgent Architects Limited is a RIBA Chartered Practice

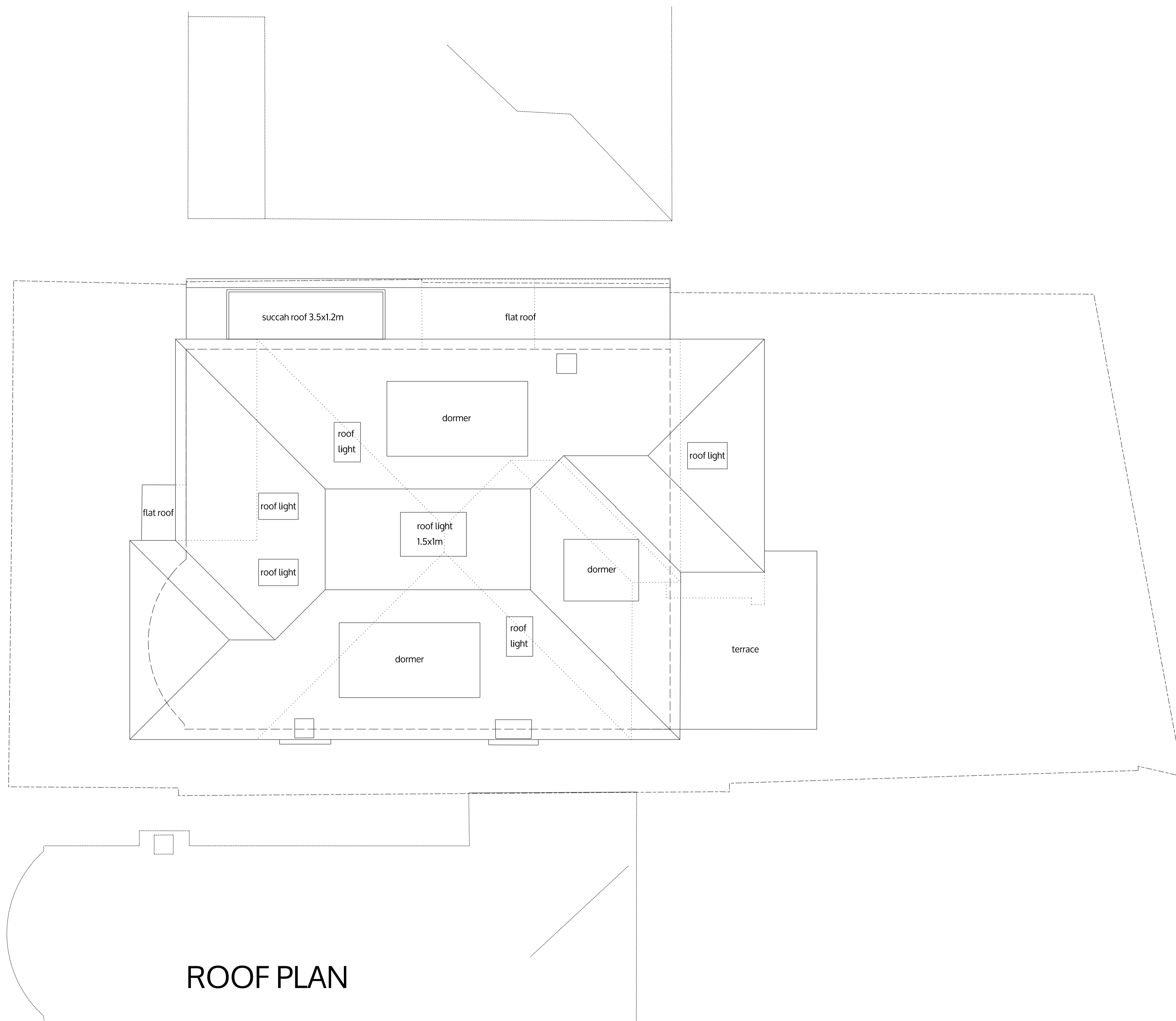
project
 Householder extension
 13 Danescroft Gardens
 London NW4 2ND

client
 Daniel Fadlun
 13 Danescroft Gardens
 London NW4 2ND

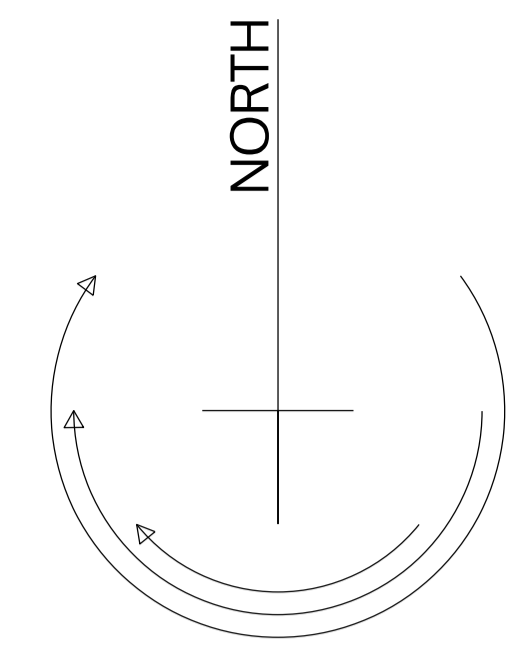
title
 Front elevation
 as proposed

planning only	
	1:100 @A3 1:50 @A1
	Feb 2016
	mhamm

DAN_P09e



ROOF PLAN



no. drawn date scale status title client project © ALL COPYRIGHTS RESERVED m 0 1 2 3 4 5 ALL DIMENSIONS TO BE CHECKED ON SITE

spaceAgent 

Architects and Designers mail@spaceagent.com
 London-Heidelberg-Barcelona-Brussels spaceagent.com
 spaceAgent Architects Limited is a RIBA Chartered Practice

project Householder extension
 13 Danescroft Gardens
 London NW4 2ND

client Daniel Fadlun
 13 Danescroft Gardens
 London NW4 2ND

title Roof plan
 as proposed

planning only	
	1:100 @A3 1:50 @A1
	Feb 2016
	mhamm

DAN_P10e