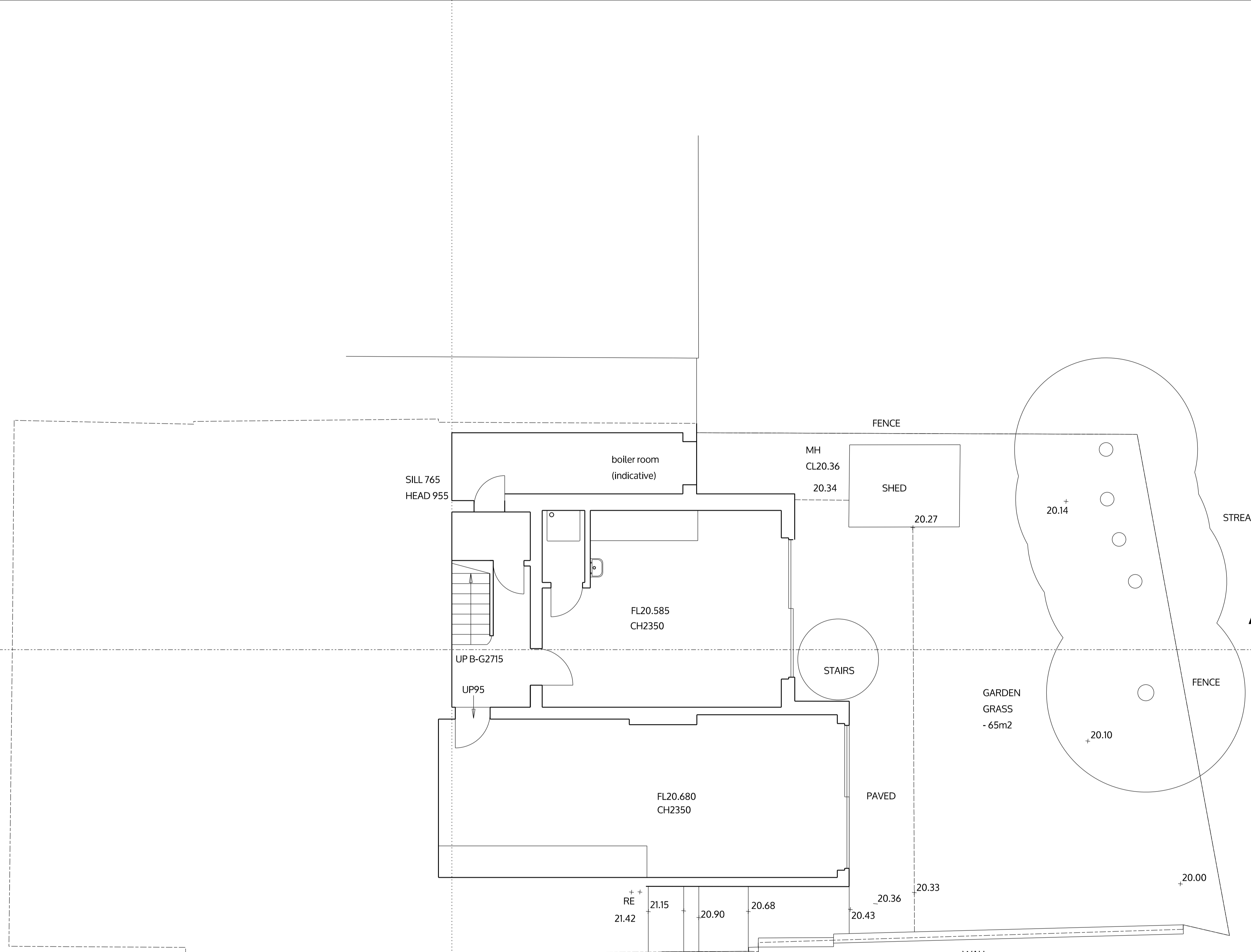
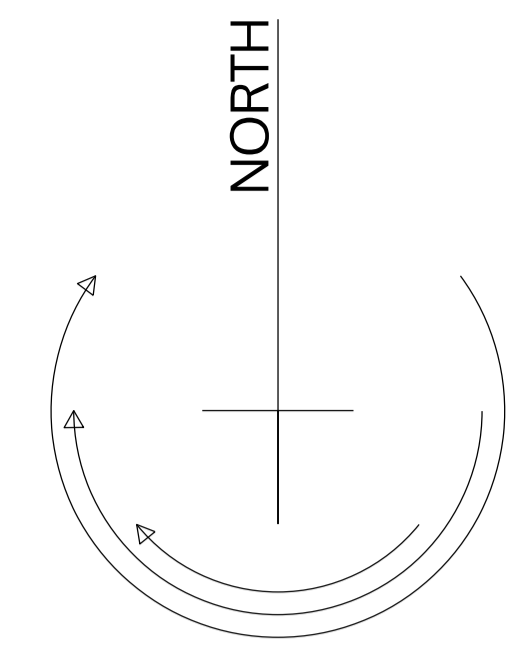


A



BASEMENT



no. drawn date scale status title client project © ALL COPYRIGHTS RESERVED m 0 1 2 3 4 5 ALL DIMENSIONS TO BE CHECKED ON SITE

**spaceAgent**   
 Architects and Designers mail@spaceagent.com  
 London-Heidelberg-Barcelona-Brussels spaceagent.com  
 spaceAgent Architects Limited is a RIBA Chartered Practice

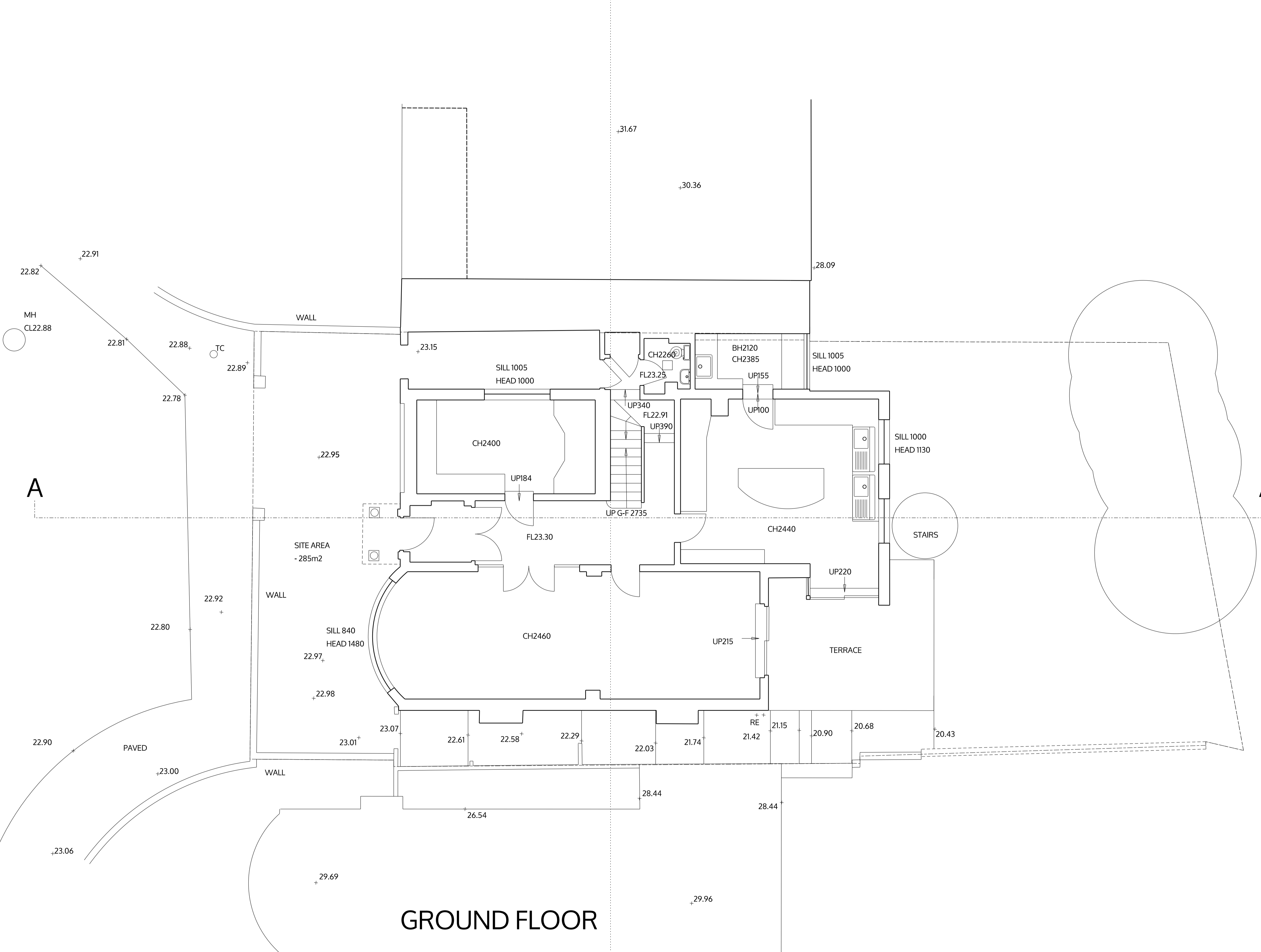
project  
 Householder extension  
 13 Danescroft Gardens  
 London NW4 2ND

client  
 Daniel Fadlun  
 13 Danescroft Gardens  
 London NW4 2ND

title  
 Basement  
 as existing

<b>planning only</b>	
	1:100 @A3 1:50 @A1
	Nov 2015
	mhamm

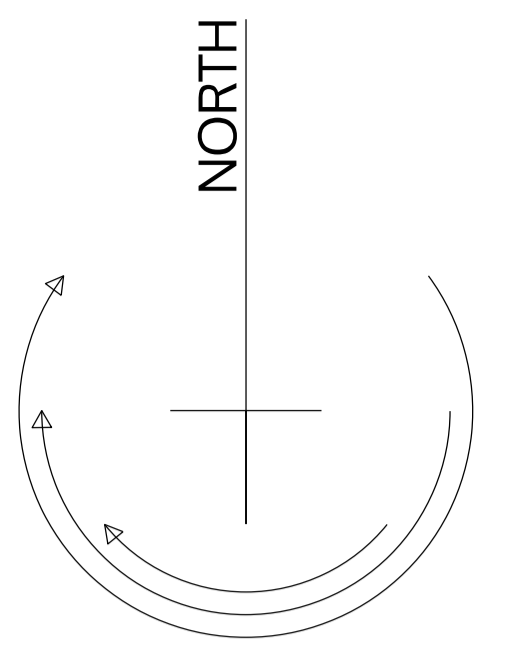
DAN\_E01



# GROUND FLOOR

no. drawn date scale status title client project

5 4 3 2 1 m 0 ALL DIMENSIONS TO BE CHECKED ON SITE © ALL COPYRIGHTS RESERVED



**spaceAgent** 

Architects and Designers  
 London-Heidelberg-Barcelona-Brussels  
 spaceAgent Architects Limited is a RIBA Chartered Practice

mail@spaceagent.com  
 spaceagent.com  
 Householder extension  
 13 Danescroft Gardens  
 London NW4 2ND

Daniel Fadlun  
 13 Danescroft Gardens  
 London NW4 2ND

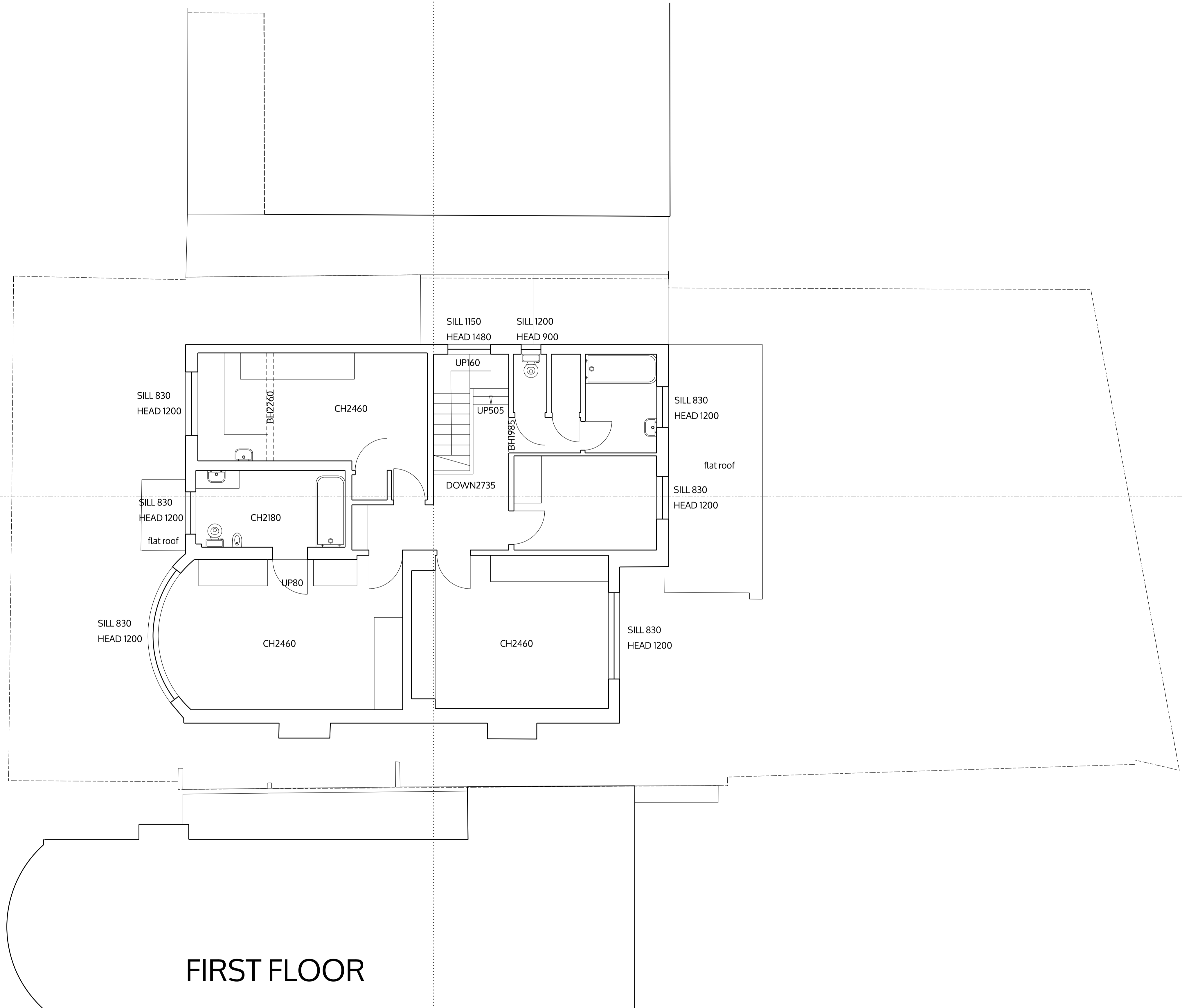
Ground floor  
 as existing

planning only	
1:100 @A3	1:50 @A1
Nov 2015	
mhamm	

DAN\_E02

A

A



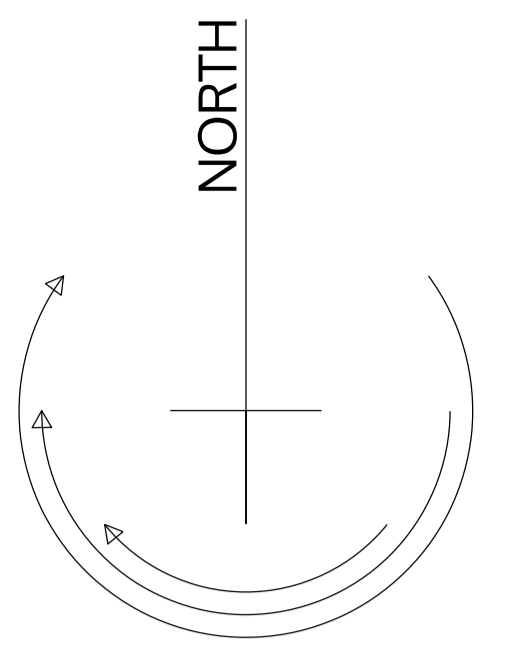
FIRST FLOOR

no. drawn date scale status title client project

5 4 3 2 1 m 0

ALL DIMENSIONS TO BE CHECKED ON SITE

© ALL COPYRIGHTS RESERVED



**spaceAgent** 

Architects and Designers mail@spaceagent.com  
 London-Heidelberg-Barcelona-Brussels spaceagent.com  
 spaceAgent Architects Limited is a RIBA Chartered Practice

Householder extension  
 13 Danescroft Gardens  
 London NW4 2ND

Daniel Fadlun  
 13 Danescroft Gardens  
 London NW4 2ND

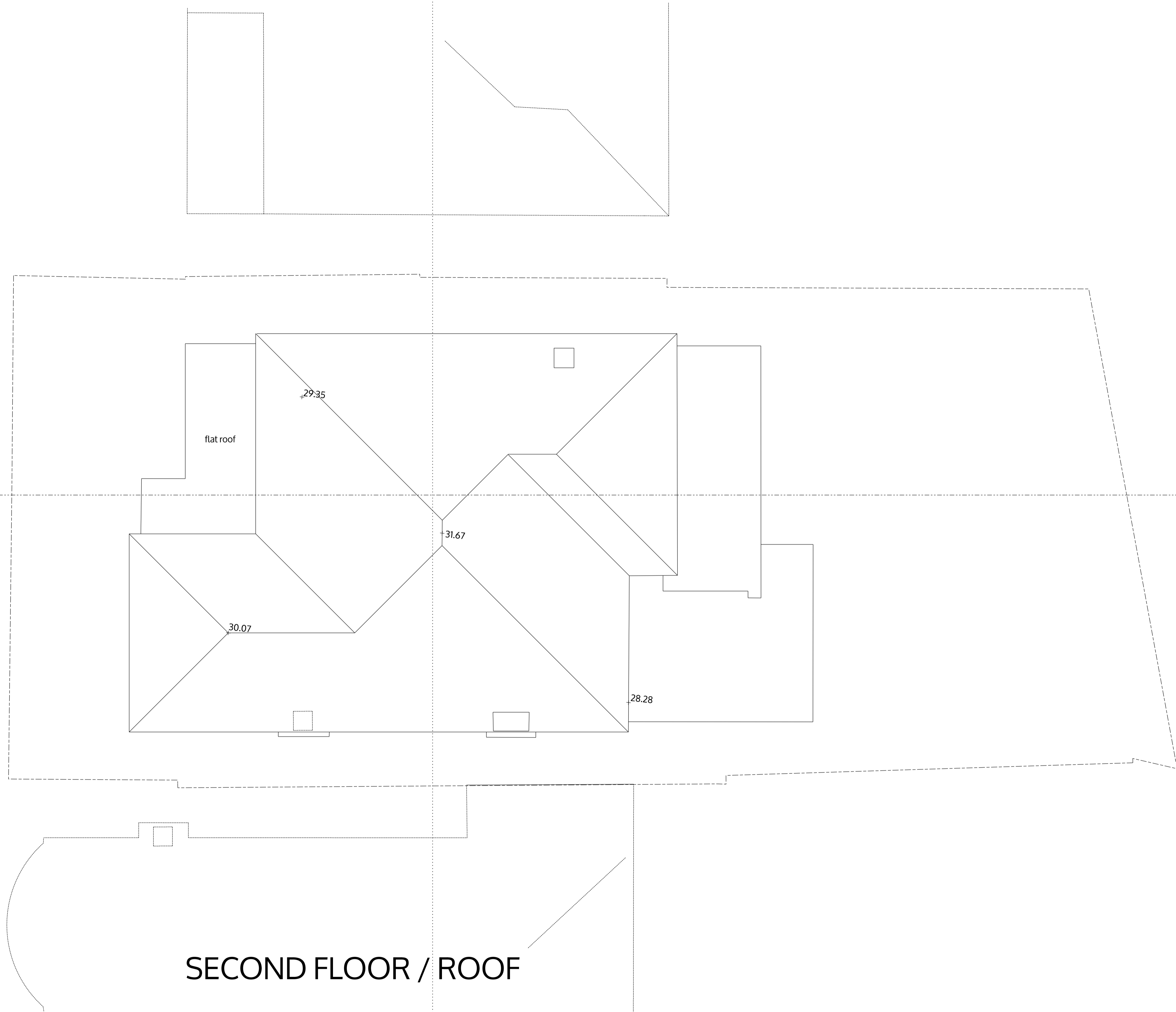
First floor  
 as existing

planning only	
1:100 @A3	1:50 @A1
Nov 2015	
mhamm	

DAN\_E03

A

A



SECOND FLOOR / ROOF

no. drawn date scale status title client project

5 4 3 2 1 m 0

ALL DIMENSIONS TO BE CHECKED ON SITE

© ALL COPYRIGHTS RESERVED

project

client

title

status

scale

date

drawn

**spaceAgent** 

Architects and Designers mail@spaceagent.com  
 London-Heidelberg-Barcelona-Brussels spaceagent.com  
 spaceAgent Architects Limited is a RIBA Chartered Practice

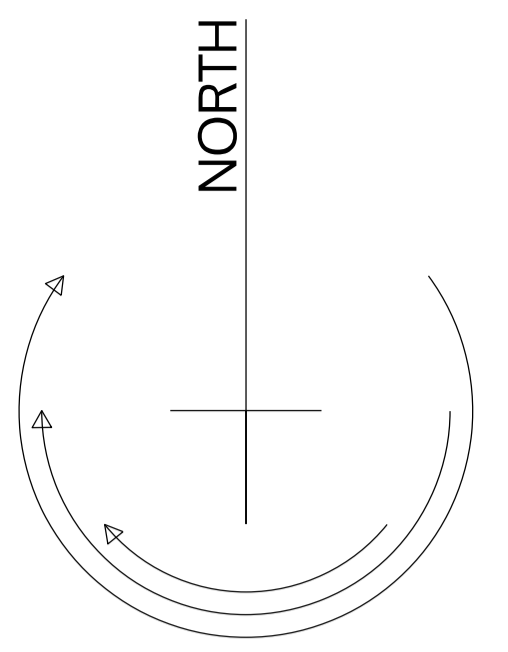
Householder extension  
 13 Danescroft Gardens  
 London NW4 2ND

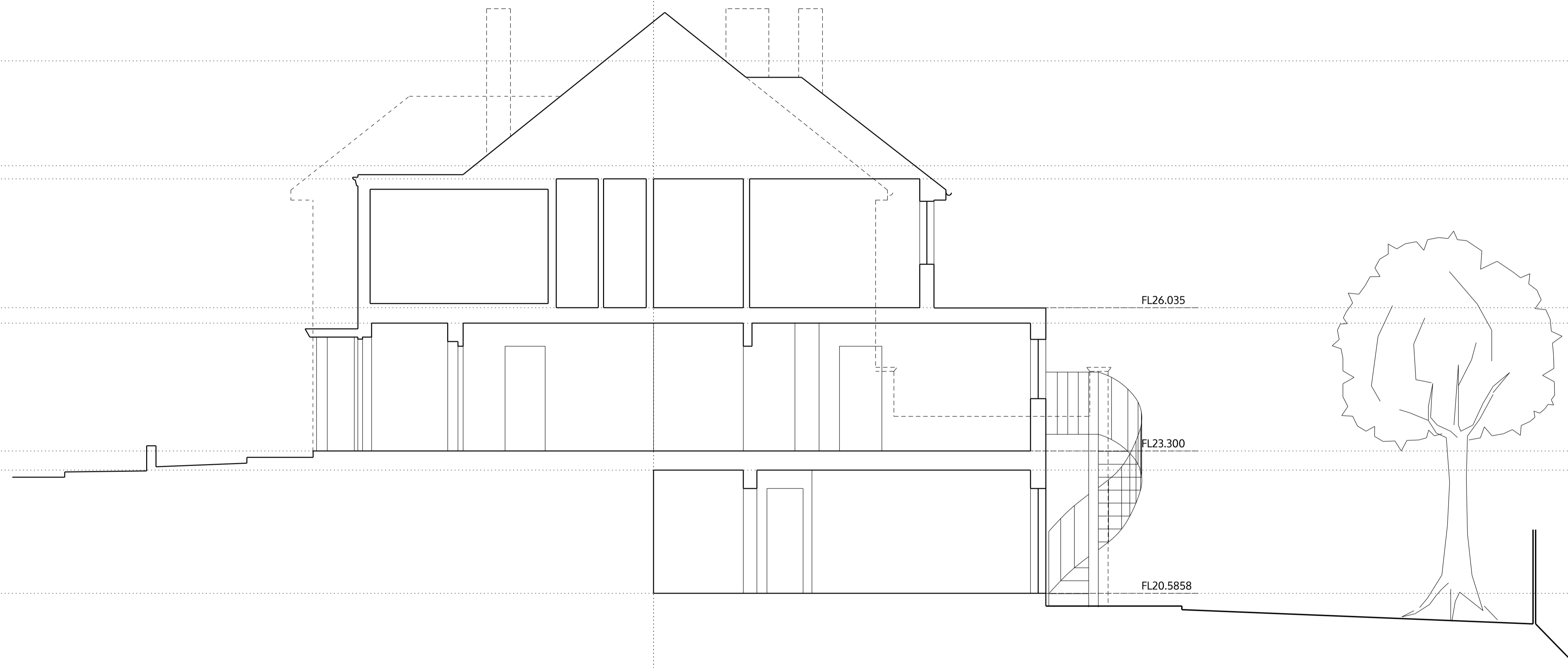
Daniel Fadlun  
 13 Danescroft Gardens  
 London NW4 2ND

Second floor (roof)  
 as existing

<b>planning only</b>	
	1:100 @A3 1:50 @A1
	Nov 2015
	mhamm

**DAN\_E04**





SECTION A-A

no. drawn date scale status title client project © ALL COPYRIGHTS RESERVED m 0 1 2 3 4 5 ALL DIMENSIONS TO BE CHECKED ON SITE

**spaceAgent**   
 Architects and Designers mail@spaceagent.com  
 London-Heidelberg-Barcelona-Brussels spaceagent.com  
 spaceAgent Architects Limited is a RIBA Chartered Practice

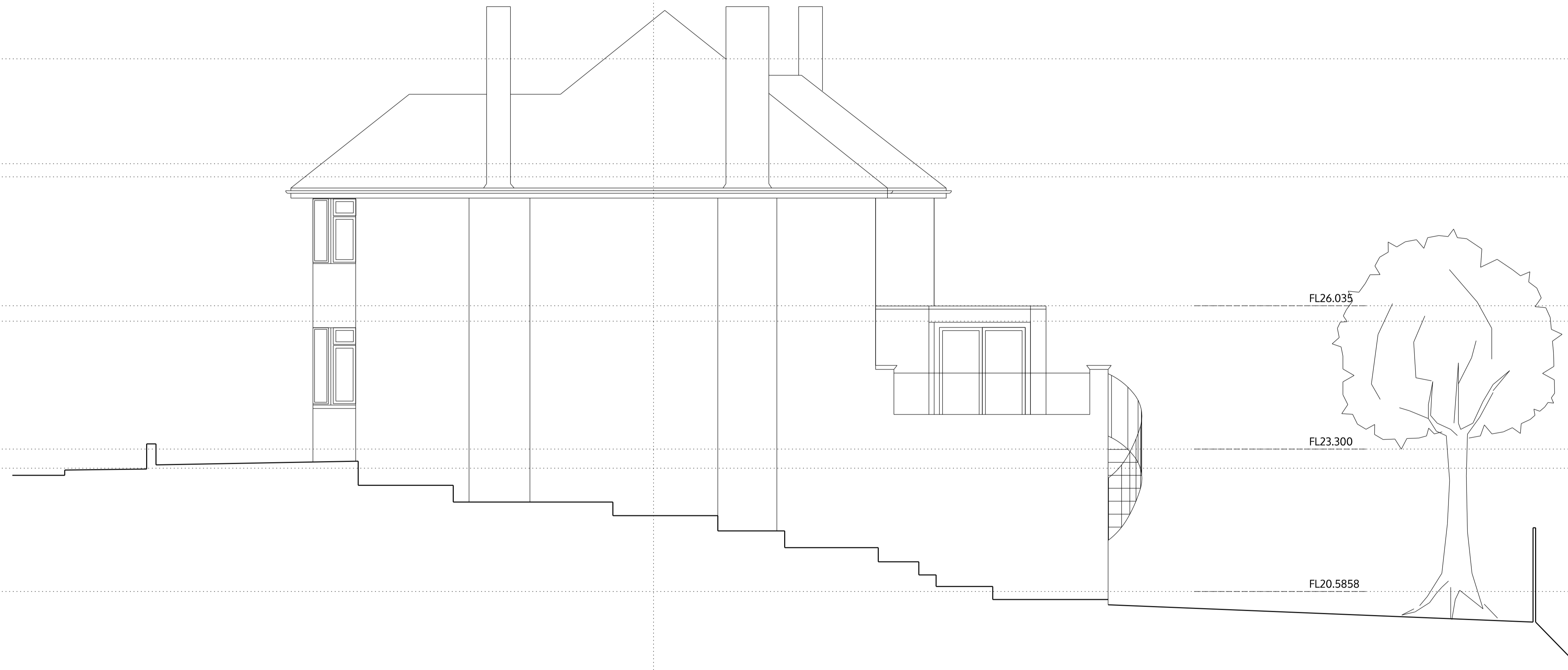
project  
 Householder extension  
 13 Danescroft Gardens  
 London NW4 2ND

client  
 Daniel Fadlun  
 13 Danescroft Gardens  
 London NW4 2ND

title  
 Section AA  
 as existing

<b>planning only</b>	
	1:100 @A3 1:50 @A1
	Nov 2015
	mhamm

DAN\_E05



SOUTH ELEVATION

no. drawn date scale status title client project © ALL COPYRIGHTS RESERVED m 0 1 2 3 4 5 ALL DIMENSIONS TO BE CHECKED ON SITE

**spaceAgent**   
 Architects and Designers mail@spaceagent.com  
 London-Heidelberg-Barcelona-Brussels spaceagent.com  
 spaceAgent Architects Limited is a RIBA Chartered Practice

project  
 Householder extension  
 13 Danescroft Gardens  
 London NW4 2ND

client  
 Daniel Fadlun  
 13 Danescroft Gardens  
 London NW4 2ND

title  
 South elevation  
 as existing

planning only	
	1:100 @A3 1:50 @A1
	Nov 2015
	mhamm

DAN\_E06

no. drawn date scale status title client project © ALL COPYRIGHTS RESERVED m:0 1 2 3 4 5 ALL DIMENSIONS TO BE CHECKED ON SITE



REAR ELEVATION

spaceAgent 

Architects and Designers [mail@spaceagent.com](mailto:mail@spaceagent.com)  
London-Heidelberg-Barcelona-Brussels [spaceagent.com](http://spaceagent.com)  
spaceAgent Architects Limited is a RIBA Chartered Practice

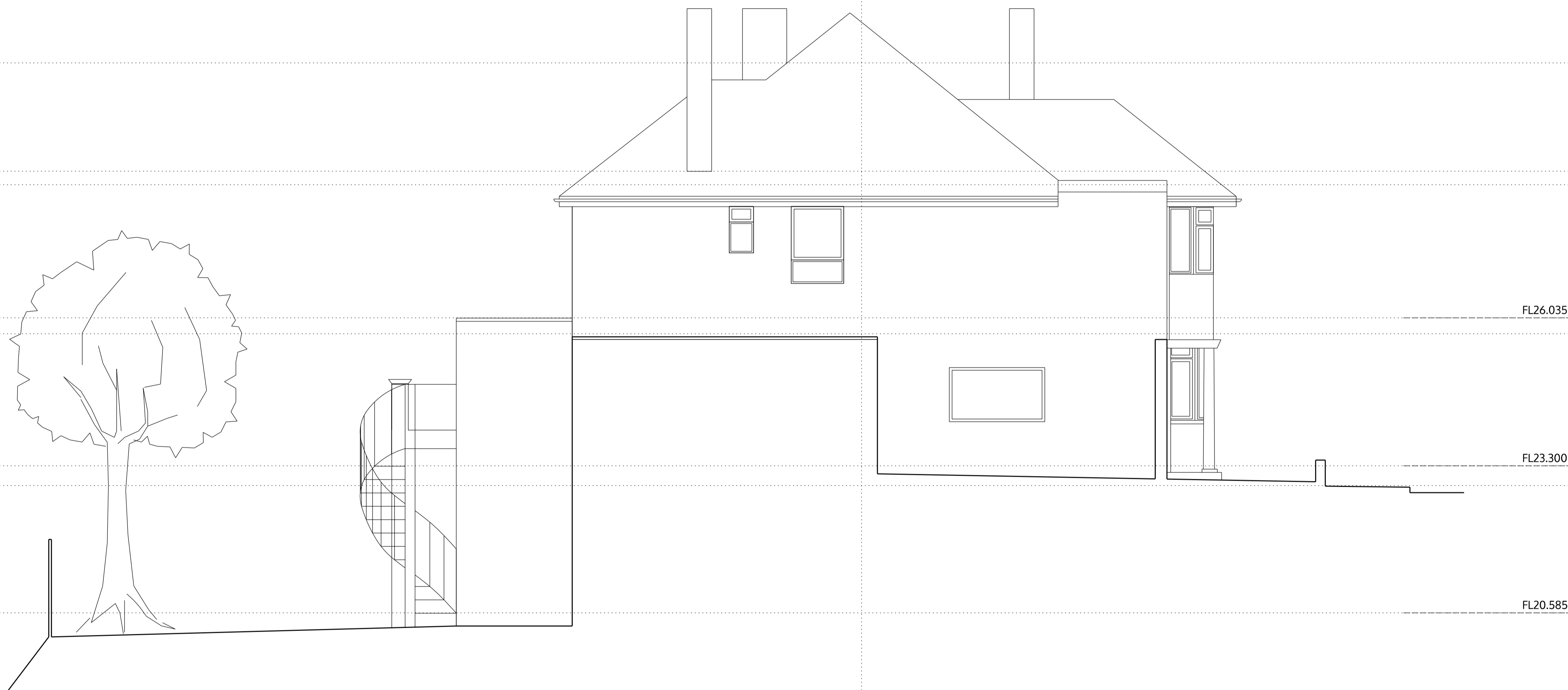
project Householder extension  
13 Danescroft Gardens  
London NW4 2ND

client Daniel Fadlun  
13 Danescroft Gardens  
London NW4 2ND

title Rear elevation  
as existing

planning only	
1:100 @A3	1:50 @A1
Nov 2015	
mhamm	

DAN\_E07



NORTH ELEVATION

no. drawn date scale status title client project © ALL COPYRIGHTS RESERVED m 0 1 2 3 4 5 ALL DIMENSIONS TO BE CHECKED ON SITE

**spaceAgent**   
 Architects and Designers mail@spaceagent.com  
 London-Heidelberg-Barcelona-Brussels spaceagent.com  
 spaceAgent Architects Limited is a RIBA Chartered Practice

project Householder extension  
 13 Danescroft Gardens  
 London NW4 2ND

client Daniel Fadlun  
 13 Danescroft Gardens  
 London NW4 2ND

title North elevation  
 as existing

planning only	
	1:100 @A3 1:50 @A1
	Nov 2015
	mhamm

DAN\_E08





FRONT ELEVATION

no. drawn date scale status title client project © ALL COPYRIGHTS RESERVED m 0 1 2 3 4 5 ALL DIMENSIONS TO BE CHECKED ON SITE

**spaceAgent**   
 Architects and Designers mail@spaceagent.com  
 London-Heidelberg-Barcelona-Brussels spaceagent.com  
 spaceAgent Architects Limited is a RIBA Chartered Practice

project  
 Householder extension  
 13 Danescroft Gardens  
 London NW4 2ND

client  
 Daniel Fadlun  
 13 Danescroft Gardens  
 London NW4 2ND

title  
 Front elevation  
 as existing

<b>planning only</b>	
	1:100 @A3 1:50 @A1
	Nov 2015
	mhamm

**DAN\_E09**